

SURFACE MOUNTING - CEILING ONLY  
**3470 / SCH SERIES CEILING HEATER**

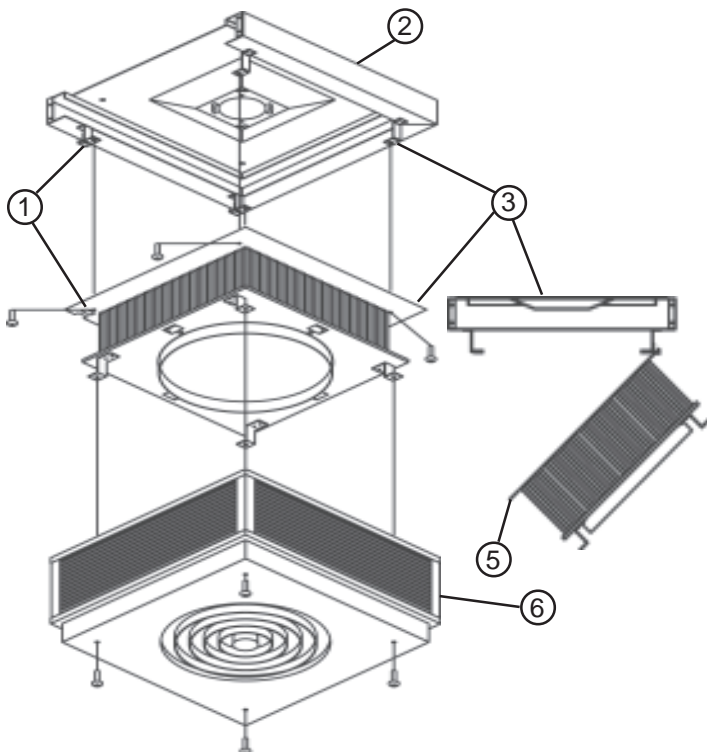
*INSTALLATION INSTRUCTIONS*

MOUNT HORIZONTAL POSITION ONLY.

DO NOT INSTALL ANY CLOSER THAN 12" TO NEAREST WALL

CHECK TO SEE THAT SERVICE VOLTAGE IS THE SAME AS HEATER VOLTAGE.

ALL WIRING MUST CONFORM TO THE NATIONAL ELECTRIC CODE AND EXISTING LOCAL CODE REQUIREMENTS.



**THERMAL CUTOFF OPERATION** (all models except 480 volt)

To reset thermal cutoff disconnect all power for 5 minutes then energize unit. If fault continues disconnect power and check for causes.

**THERMAL CUTOFF** (480 volt models)

If for any reason temperatures increase beyond normal limits, safety thermal limit will open de-energizing heating element and fan motor. Check entire installation to determine cause of overheating and take corrective measures. The limit control is the automatic reset type and after cooling will reset, allowing heater to resume operation.

**WARNING:** To avoid risk of fire, shock or personal injury make certain that the power source is disconnected before attempting to install, service, clean or disassemble the heater or any component. If the power disconnect is out of the line of sight, lock it in the open position and tag it to prevent the application of power.

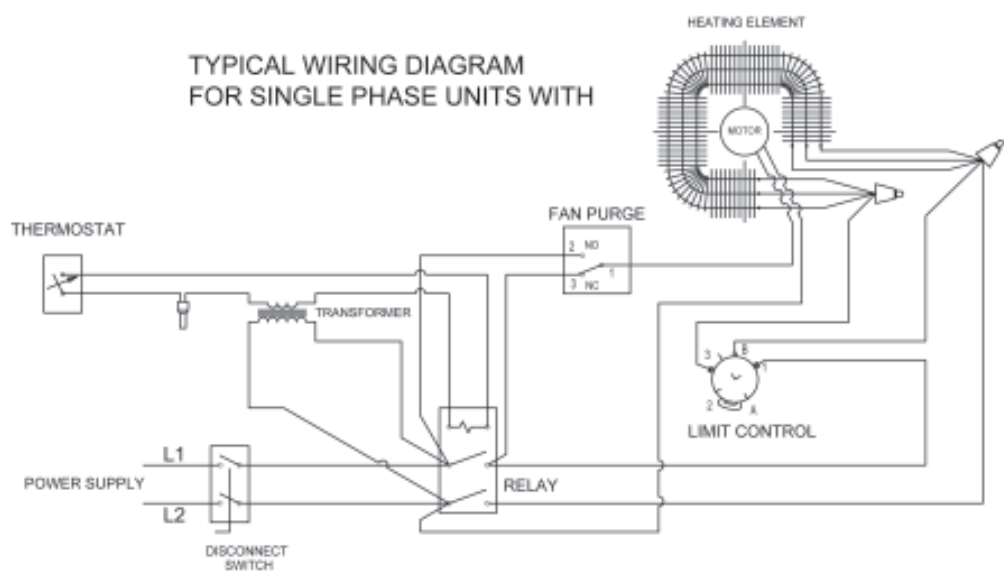
1. Detach heater unit from ceiling mounting plate or control section by disengaging the stabilizing arms on ceiling plate from heater unit. Four (4) #8 drive screws.
2. Install ceiling mounting plate or control section to standard ceiling outlet box (4") with (2) #8-32 x 1 1/4 machine screws provided.
3. Hang heater unit from two stabilizing arms being sure to engage the two arms with the hooked ends on ceiling plate or control section with the two slots in heater back plate.
4. Connect heater leads to corresponding supply leads in outlet box (ordinary 60°C house wire can be used) and install ceiling plate access hole cover with (2) #8 drive screws that are provided.
5. Swing heater unit up to ceiling mounting plate or control section and secure with (4) # 8 drive screws provided (one screw in each of the four stabilizing arms).
6. Install heater exterior casing by sliding straight over heater units. Align so that venturi of heater assembly is outside of venturi of external casing. Secure with (4) #10-32 x 3/4" button head machine screws provided.

**CAUTION:** To avoid risk of fire, shock or personal injury do not insert or allow foreign object or hands to enter any ventilation or exhaust openings.

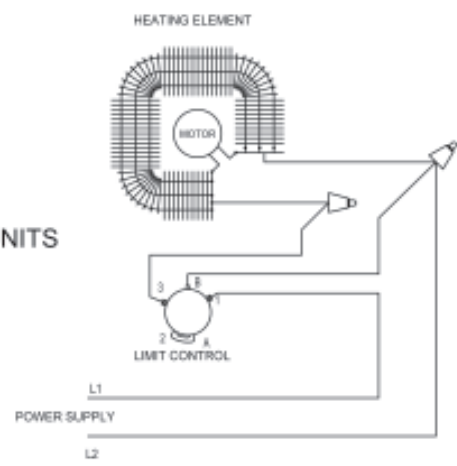
**TPI CORPORATION**  
**P.O. BOX 4973**  
**JOHNSON CITY, TN. 37602-4973**

FORM: 9662  
ECO 1-5150

TYPICAL WIRING DIAGRAM FOR SINGLE PHASE UNITS WITH



TYPICAL WIRING DIAGRAM FOR BASIC SINGLE PHASE UNITS WITHOUT CONTROLS



TYPICAL WIRING DIAGRAM FOR THREE PHASE UNITS WITH CONTROLS

